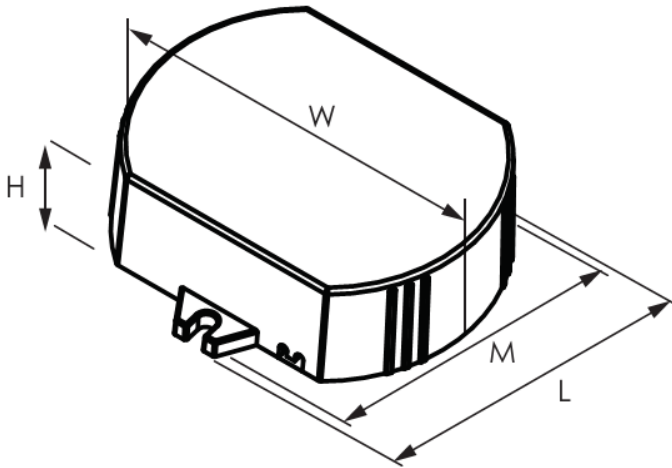


25 Watt CONSTANT CURRENT LED DRIVER

ML-A25-UVQ-XXX

Total power: 25W
 Input voltage: 120~277Vac ± 10%
 Number of outputs: One
 UL 8750
 IP20 or IP66 design
 Dimmable with 0-10V dimmer
 5 year warranty



ELECTRICAL SPECIFICATIONS:

Input voltage range: 120~277Vac ± 10%
 Frequency: 50/60Hz
 Power factor: >0.9 @full load, 120V ~ 277V
 Inrush current: 7A @230V
 Max input current: 0.28A @120V and 0.13A @ 277V
 THD: <20%
 Protection: Over voltage, Over current and Short circuit
 Withstand voltage I/P – O/P 2k Vac

PHYSICAL DIMENSIONS:

Length (L): 3.07"
 Width (W): 3.15"
 Height (H): 1.00"
 Mounting (M): 2.76"
 Weight: 0.19 kg

ENVIRONMENTAL SPECIFICATIONS:

Operating temperature: -30 to 60°C
 Storage temperature: -40 to 85°C
 Humidity: 5% to 95%
 MTBF: 374,000 hours at 40°C ambient (~70°C Case temp)
 Maximum case Temperature 90°C

SAFETY AND EMC COMPLIANCE:

UL/cUL UL 8750
 FCC, 47CFR Part 15 Class B Consumer Limit
 EN61000-3-2

WIRE SPECIFICATIONS:

Input: 12", UL 1316 #18AWG (Black and White)
 Output: 12", UL 1316 #18AWG (With Non-Class 2 Output)
 12", UL 1316/1430 #22AWG (With Class 2 Output) (Red and Blue)
 Dimming: 12" UL 1316/1430 #22AWG (Purple and Grey)

ORDERING INFORMATION:

| Model Number | Max output power | Output Current | Output Voltage | Efficiency | Remote mounting distance (#18 AWG) | Class 2 | |
|-----------------|------------------|----------------|----------------|------------|------------------------------------|---------|--------|
| | | | | | | US | Canada |
| ML-A25-UVQ-700 | 25 watt | 700mA | 18-36V | 80% | 54 ft | ✓ | ✓ |
| ML-A25-UVQ-1025 | 25 watt | 1025mA | 12-25V | 80% | 38 ft | ✓ | ✓ |